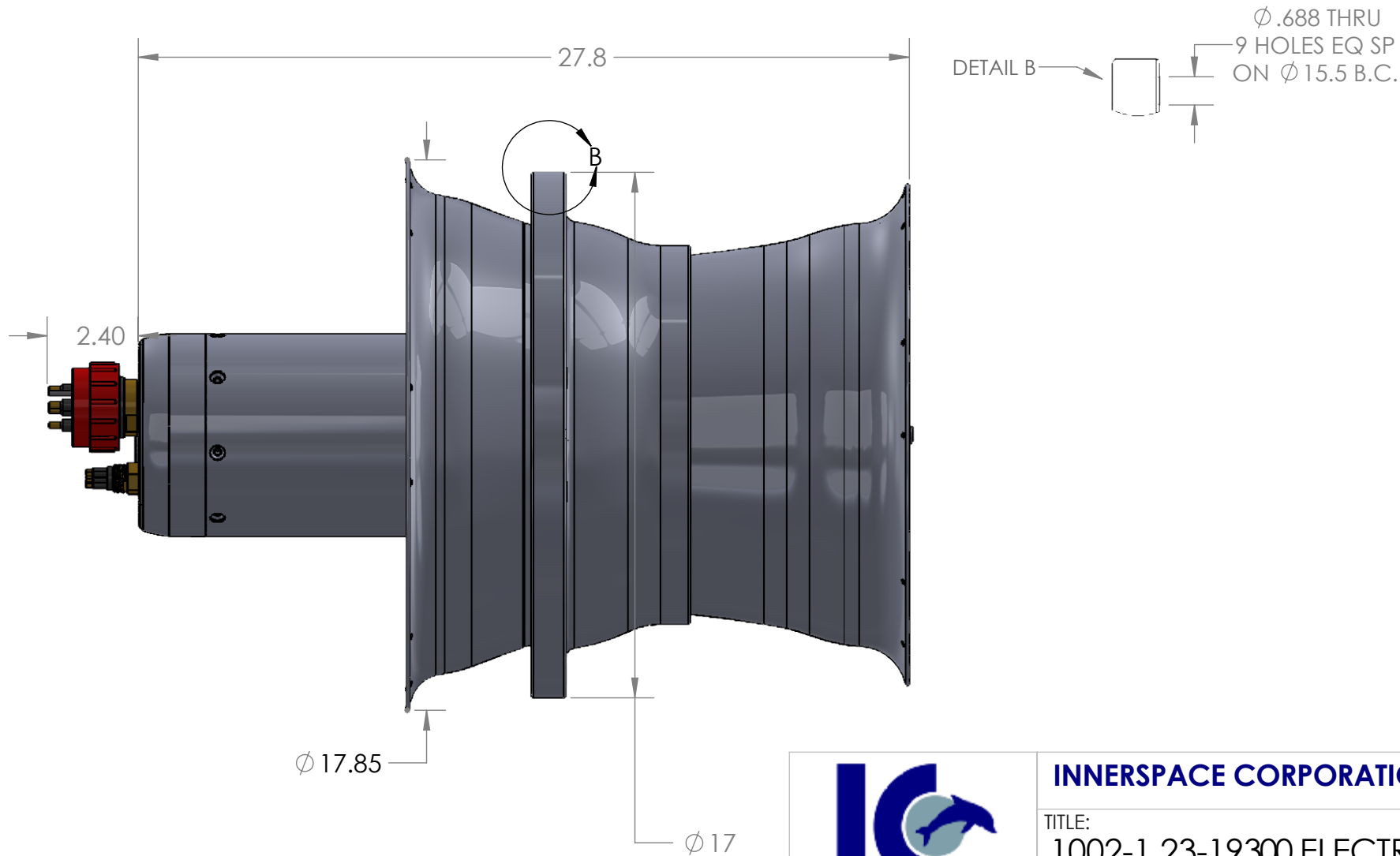


2

1

B

B



A

A



PROPRIETARY AND CONFIDENTIAL

INNERSPACE CORPORATION

TITLE:
1002-1.23-19300 ELECTRIC
THRUSTER DIMENSIONS

THE INFORMATION CONTAINED IN THIS DRAWING IS THE SOLE PROPERTY OF INNERSPACE CORPORATION. ANY REPRODUCTION IN PART OR AS A WHOLE WITHOUT THE WRITTEN PERMISSION OF INNERSPACE CORPORATION IS PROHIBITED.

SIZE	DWG. NO.	REV
A	1002-1.23-19300 DIMS	

SCALE: N/A WEIGHT: SHEET 1 OF 1

DWG	PART #	PART DESC.	DRY WEIGHT	WET WEIGHT
1	1002-1.23-19300	ELECTRIC THRUSTER WITH AXIAL FITTINGS	127 LBS	87 LBS

2

1