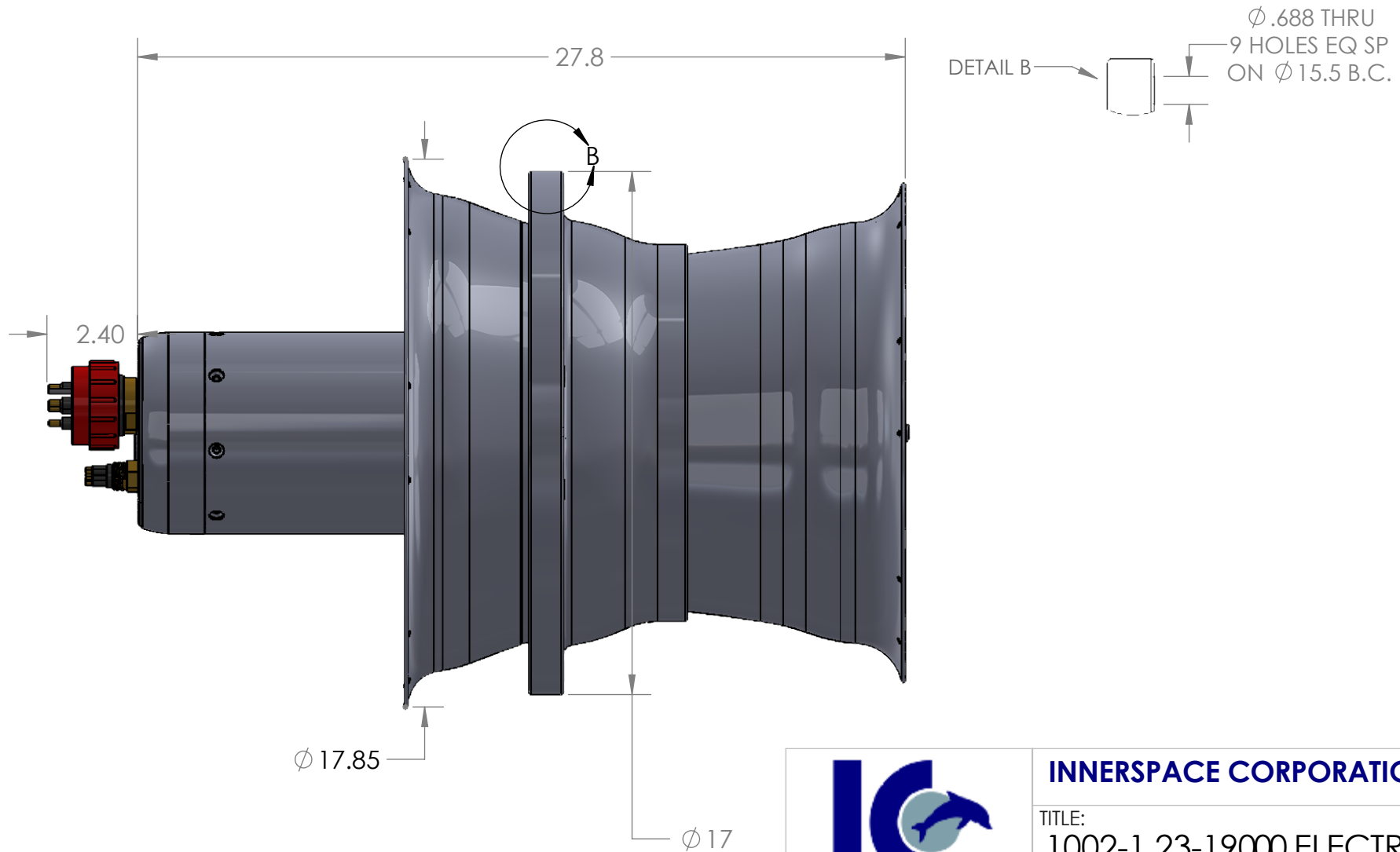


2

1

B

B



A

A



INNERSPACE CORPORATION

TITLE:
1002-1.23-19000 ELECTRIC
THRUSTER DIMENSIONS

THE INFORMATION CONTAINED IN THIS DRAWING IS THE SOLE PROPERTY OF INNERSPACE CORPORATION. ANY REPRODUCTION IN PART OR AS A WHOLE WITHOUT THE WRITTEN PERMISSION OF INNERSPACE CORPORATION IS PROHIBITED.

| | | |
|--------------------|----------------------|--------------|
| SIZE | DWG. NO. | REV |
| A | 1002-1.23-19000 DIMS | |
| SCALE: N/A WEIGHT: | | SHEET 1 OF 1 |

| DWG | PART # | PART DESC. | DRY WEIGHT | WET WEIGHT |
|-----|-----------------|---------------------------------------|------------|------------|
| 1 | 1002-1.23-19000 | ELECTRIC THRUSTER WITH AXIAL FITTINGS | 127 LBS | 87 LBS |

2

1