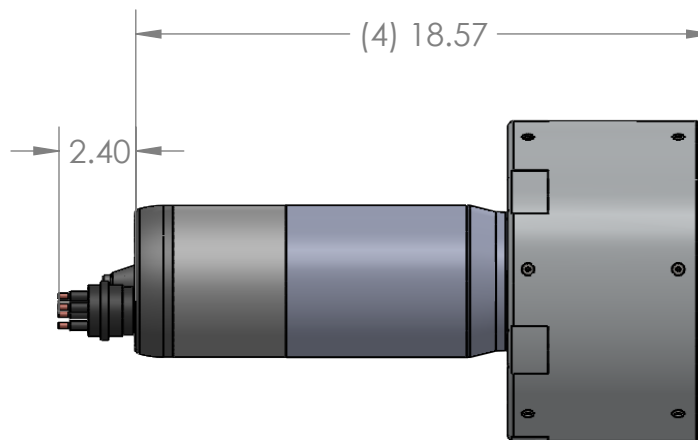
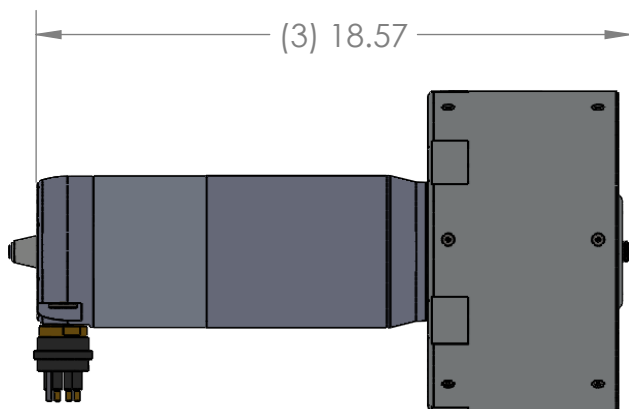
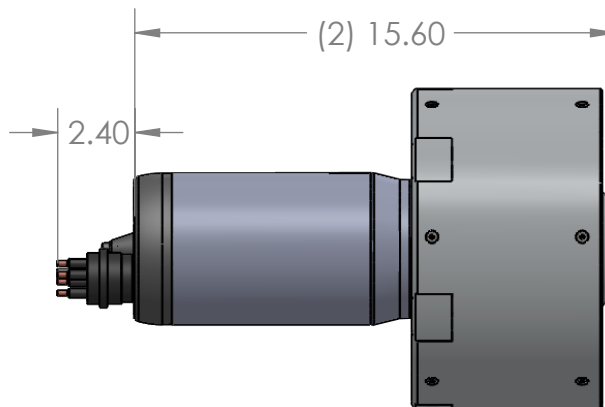
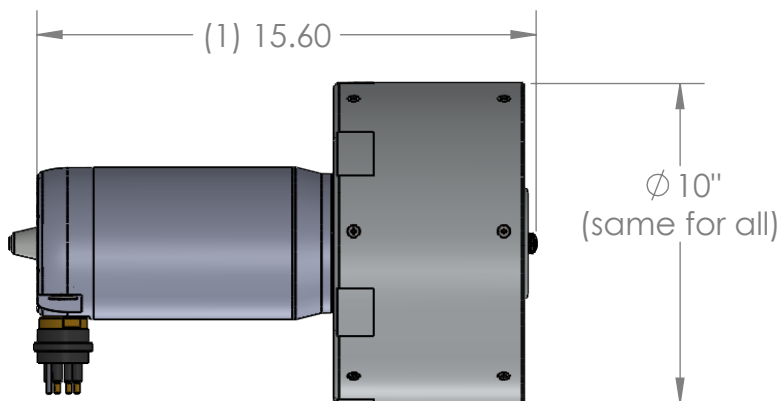


2

1

B

B



A

A

DWG	PART #	PART DESC.
1	H106 - 9300-VF	ELECTRIC HEXSCREEN THRUSTER WITH VERTICAL FITTINGS
2	H106 - 9300	ELECTRIC HEXSCREEN THRUSTER
3	H106 - 9300-IMC-VF	ELECTRIC HEXSCREEN THRUSTER WITH VERTICAL FITTINGS AND INTEGRATED MOTOR CONTROLLER (IMC)
4	H106 - 9300-IMC	ELECTRIC HEXSCREEN THRUSTER WITH INTEGRATED MOTOR CONTROLLER (IMC)

**PROPRIETARY AND CONFIDENTIAL**

THE INFORMATION CONTAINED IN THIS DRAWING IS THE SOLE PROPERTY OF INNERSPACE CORPORATION. ANY REPRODUCTION IN PART OR AS A WHOLE WITHOUT THE WRITTEN PERMISSION OF INNERSPACE CORPORATION IS PROHIBITED.

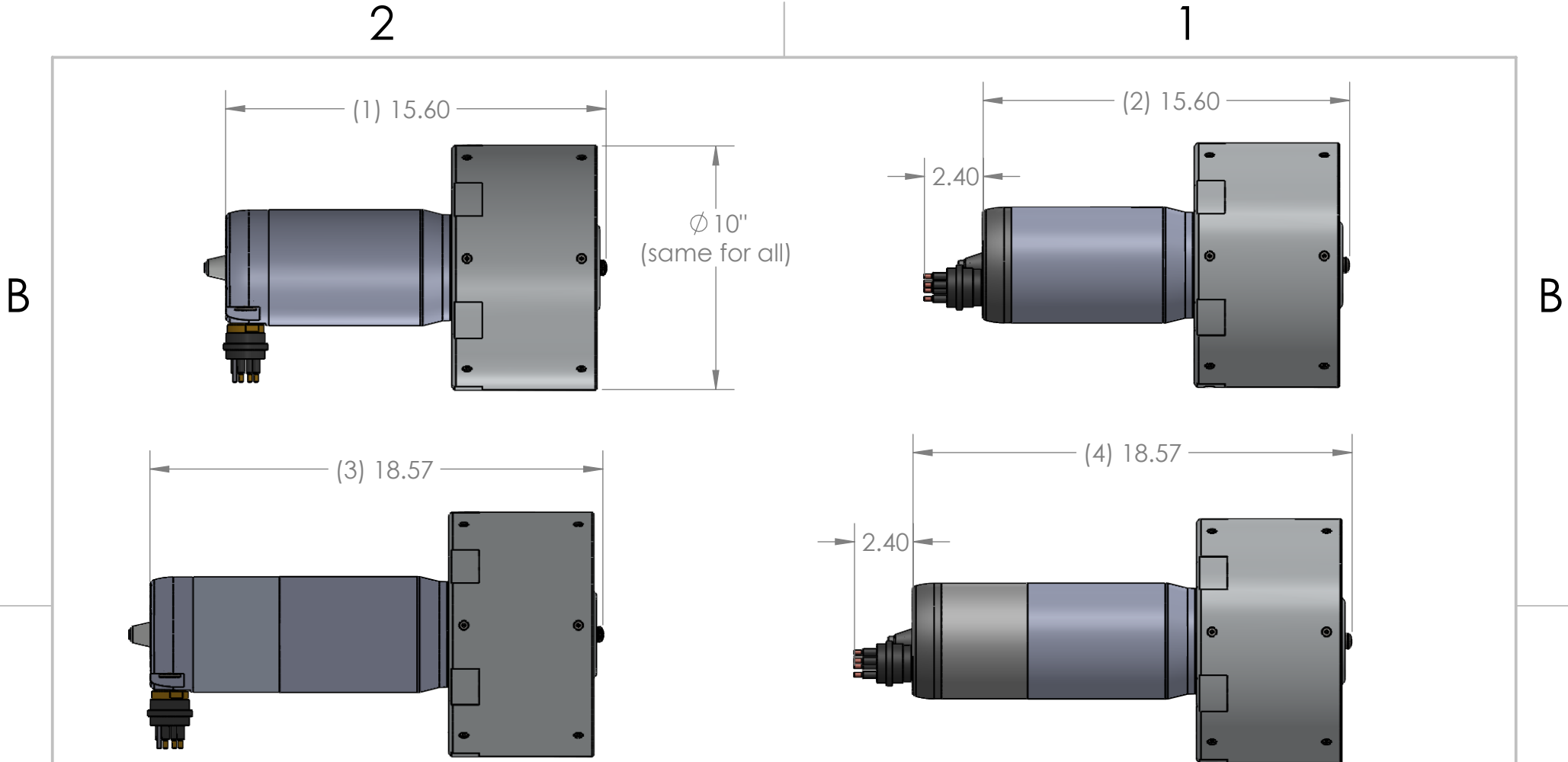
**INNERSPACE CORPORATION**

TITLE:  
**H106-9300 ELECTRIC  
HEXSCREEN THRUSTER  
DIMENSIONS**

SIZE	DWG. NO.	REV
<b>A</b>	<b>H106-9300-DIMS</b>	
SCALE: 1:6	WEIGHT:	SHEET 1 OF 1

2

1



DWG	PART #	PART DESC.	DRY WEIGHT	WET WEIGHT
1	H106- 9XXX-VF	ELECTRIC HEXSCREEN THRUSTER WITH VERTICAL FITTINGS	25 LBS	16 LBS
2	H106- 9XXX	ELECTRIC HEXSCREEN THRUSTER	25 LBS	16 LBS
3	H106- 9XXX-IMC-VF	ELECTRIC HEXSCREEN THRUSTER WITH VERTICAL FITTINGS AND INTEGRATED MOTOR CONTROLLER (IMC)	31LBS	20 LBS
4	H106- 9XXX-IMC	ELECTRIC HEXSCREEN THRUSTER WITH INTEGRATED MOTOR CONTROLLER (IMC)	31 LBS	20 LBS

**IC**  
 PROPRIETARY AND CONFIDENTIAL

THE INFORMATION CONTAINED IN THIS DRAWING IS THE SOLE PROPERTY OF INnerspace CORPORATION. ANY REPRODUCTION IN PART OR AS A WHOLE WITHOUT THE WRITTEN PERMISSION OF INnerspace CORPORATION IS PROHIBITED.

**INNERSPACE CORPORATION**

TITLE: H106-9XXX ELECTRIC HEXSCREEN THRUSTER DIMENSIONS

SIZE	DWG. NO.	REV
<b>A</b>	H106-9XXX-DIMS	
SCALE: 1:6	WEIGHT:	SHEET 1 OF 1

B

B

A

A

2

1

2

1