

DWG	PART #	PART DESC.	DRY WEIGHT	WET WEIGHT
1	H106- 9XXX-VF	ELECTRIC HEXSCREEN THRUSTER WITH VERTICAL FITTINGS	25 LBS	16 LBS
2	H106- 9XXX	ELECTRIC HEXSCREEN THRUSTER	25 LBS	16 LBS
3	H106- 9XXX-IMC-VF	ELECTRIC HEXSCREEN THRUSTER WITH VERTICAL FITTINGS AND INTEGRATED MOTOR CONTROLLER (IMC)	31LBS	20 LBS
4	H106- 9XXX-IMC	ELECTRIC HEXSCREEN THRUSTER WITH INTEGRATED MOTOR CONTROLLER (IMC)	31 LBS	20 LBS

**IC**  
 PROPRIETARY AND CONFIDENTIAL

THE INFORMATION CONTAINED IN THIS DRAWING IS THE SOLE PROPERTY OF INnerspace CORPORATION. ANY REPRODUCTION IN PART OR AS A WHOLE WITHOUT THE WRITTEN PERMISSION OF INnerspace CORPORATION IS PROHIBITED.

**INNERSPACE CORPORATION**

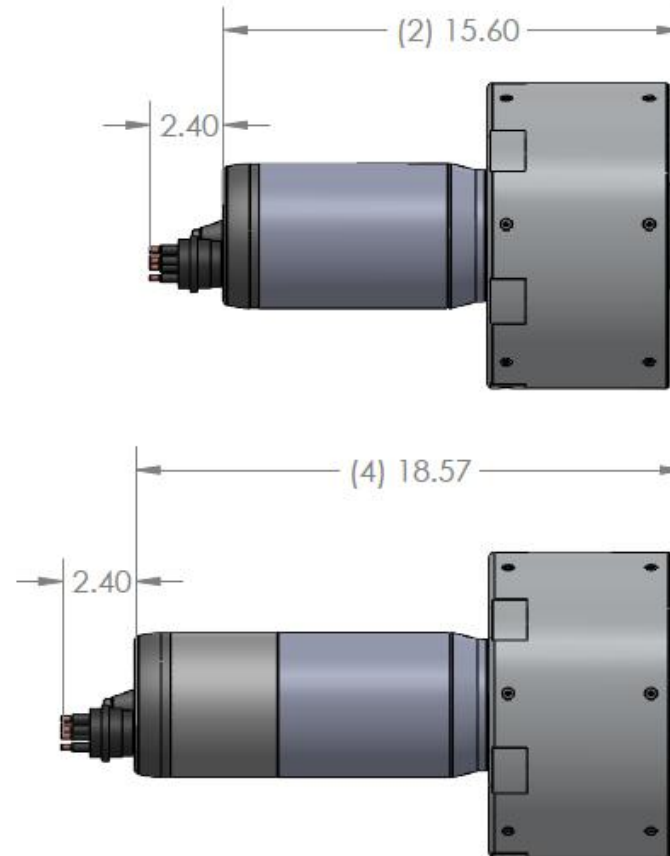
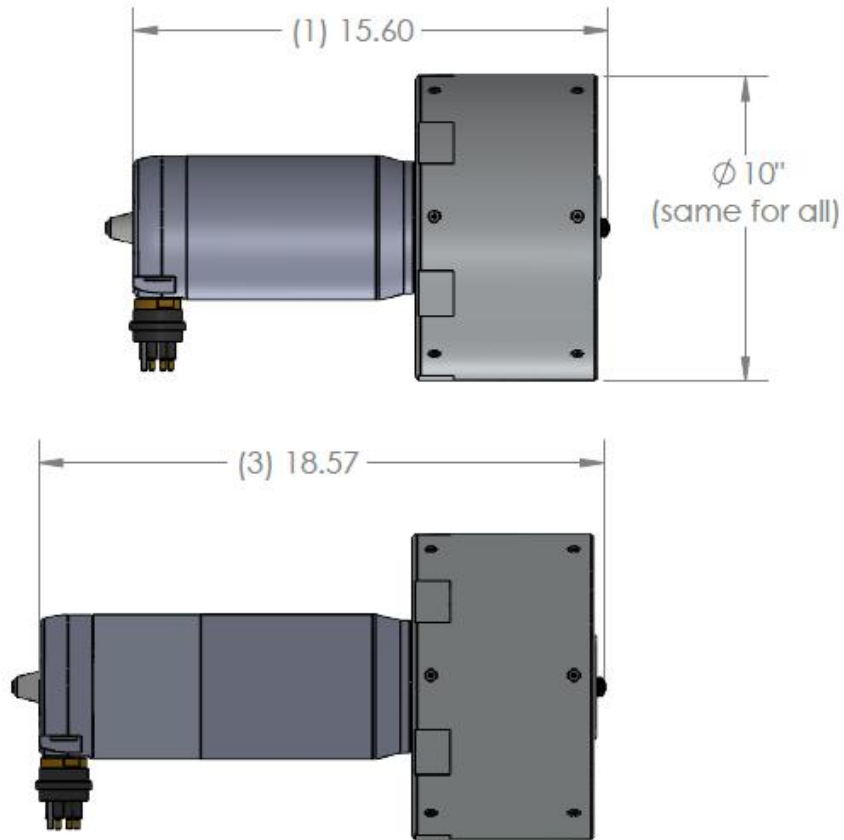
TITLE:  
**H106-9XXX ELECTRIC HEXSCREEN THRUSTER DIMENSIONS**

SIZE <b>A</b>	DWG. NO. H106-9XXX-DIMS	REV
SCALE: 1:6	WEIGHT:	SHEET 1 OF 1

2

1

B



B

A

DWG	PART #	PART DESC.
1	H106 - 9150-VF	ELECTRIC HEXSCREEN THRUSTER WITH VERTICAL FITTINGS
2	H106 - 9150	ELECTRIC HEXSCREEN THRUSTER
3	H106 - 9150-IMC-VF	ELECTRIC HEXSCREEN THRUSTER WITH VERTICAL FITTINGS AND INTEGRATED MOTOR CONTROLLER (IMC)
4	H106 - 9150-IMC	ELECTRIC HEXSCREEN THRUSTER WITH INTEGRATED MOTOR CONTROLLER (IMC)



PROPRIETARY AND CONFIDENTIAL

THE INFORMATION CONTAINED IN THIS DRAWING IS THE SOLE PROPERTY OF INNERSPACE CORPORATION. ANY REPRODUCTION IN PART OR AS A WHOLE WITHOUT THE WRITTEN PERMISSION OF INNERSPACE CORPORATION IS PROHIBITED.

INNERSPACE CORPORATION

TITLE:  
H106-9150 ELECTRIC  
HEXSCREEN THRUSTER  
DIMENSIONS

SIZE <b>A</b>	DWG. NO. H106-9150-DIMS	REV
------------------	----------------------------	-----

SCALE: 1:6	WEIGHT:	SHEET 1 OF 1
------------	---------	--------------

A

2

1