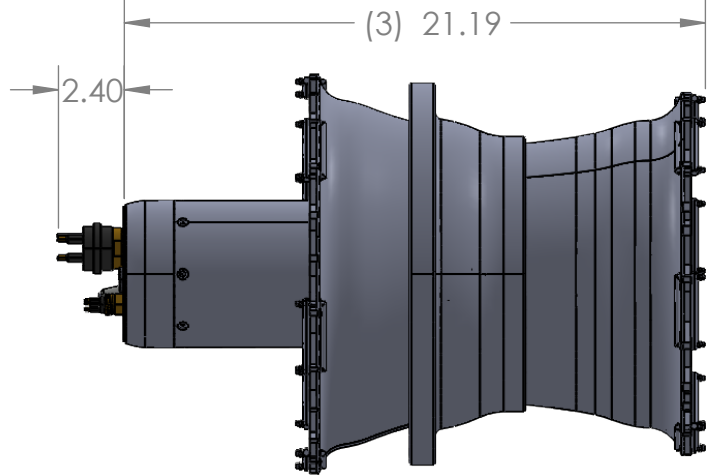
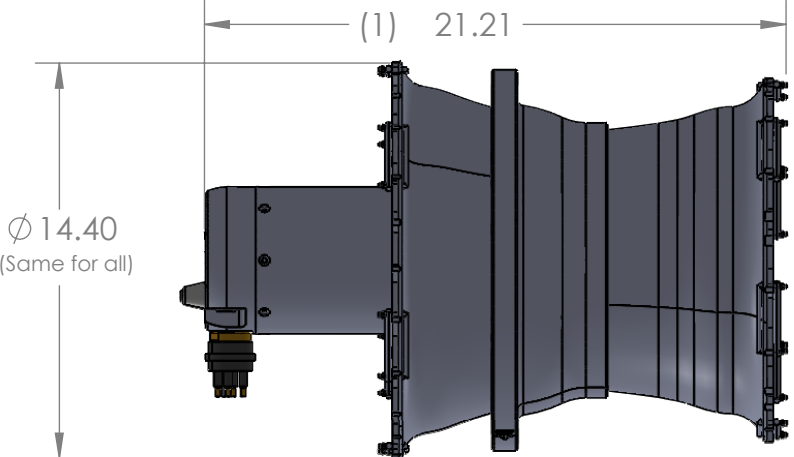


2

1

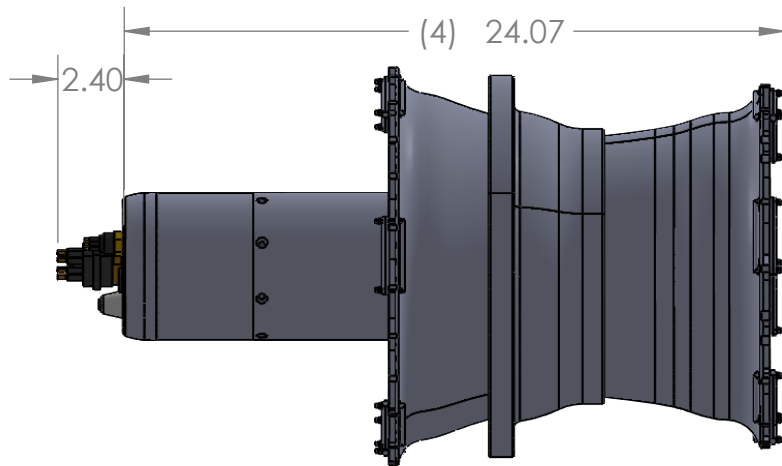
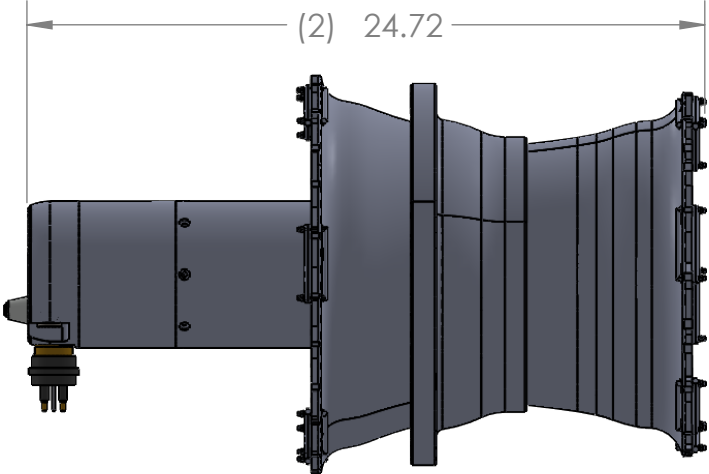
B

B



A

A



2

1

DWG	PART #	PART DESC.
1	1002H-14XXX-VF	ELECTRIC HEXSCREEN THRUSTER WITH VERTICAL FITTINGS
2	1002H-14XXX-IMC-VF	ELECTRIC HEXSCREEN THRUSTER WITH IMC AND VERTICAL FITTINGS
3	1002H-14XXX	ELECTRIC HEXSCREEN THRUSTER
4	1002H-14XXX-IMC	ELECTRIC HEXSCREEN THRUSTER WITH IMC

**PROPRIETARY AND CONFIDENTIAL**

THE INFORMATION CONTAINED IN THIS DRAWING IS THE SOLE PROPERTY OF INNERSPACE CORPORATION. ANY REPRODUCTION IN PART OR AS A WHOLE WITHOUT THE WRITTEN PERMISSION OF INNERSPACE CORPORATION IS PROHIBITED.

**INNERSPACE CORPORATION**

TITLE:  
1002H-14XXX ELECTRIC HEXSCREEN THRUSTER DIMENSIONS & WEIGHT

SIZE	DWG. NO.	REV
<b>A</b>	1002H-14XXX-DIMS	
SCALE: 1:7	WEIGHT:	SHEET 1 OF 1