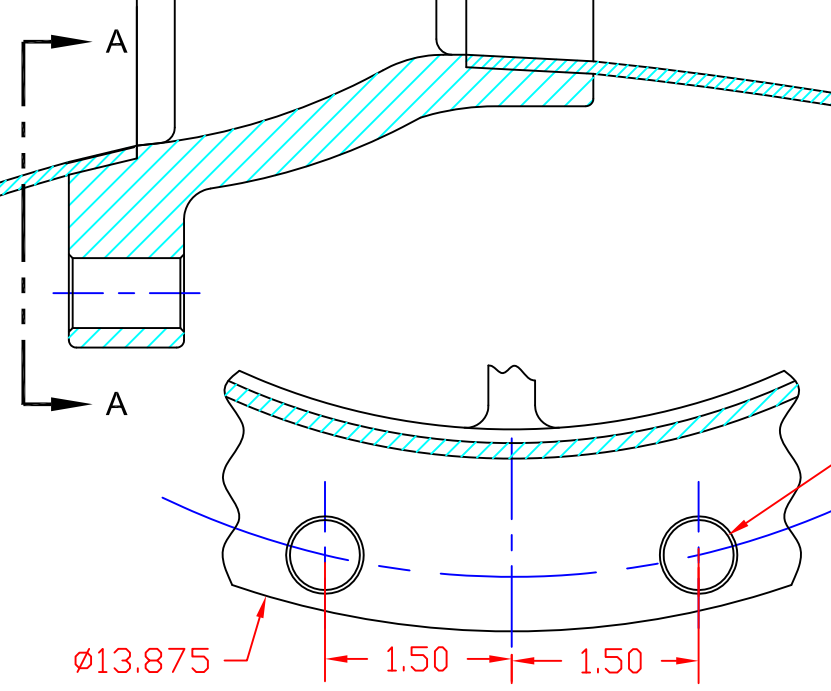



**INNERSPACE CORP.**  
 1138 E. EDNA PLACE  
 COVINA, CA 91724  
 TEL: (626) 331-0921  
 FAX: (626) 966-6391  
 www.innerspacethrusters.com

13- Spacers are not shown.  
 If needed, the spacers will go  
 between the hub & prop to  
 achieve a prop tip clearance  
 of .010" - .020"



Section A - A

| ITEM # | QTY | PART NAME               | PART NO. |
|--------|-----|-------------------------|----------|
| 15     | 1   | ELECTRIC MOTOR          |          |
| 14     | 1   | DUCT                    | 1002 - O |
| 13     | 1   | SPACER - .063" OR .125" | 1002 - M |
| 12     | 1   | WASHER - PROP HUB       | 1002 - L |
| 11     | 1   | NUT - SHAFT             | 1002 - K |
| 10     | 4   | SHCS - MOTOR            | 1002 - I |
| 9      | 1   | KEY                     | 1002 - H |
| 8      | 1   | HEX NUT - TIE ROD       | 1002 - G |
| 7      | 1   | NYLOX NUT - TIE ROD     | 1002 - J |
| 6      | 1   | SPINNER                 | 1002 - F |
| 5      | 1   | TIE ROD                 | 1002 - E |
| 4      | 1   | WASHER - SPINNER        | 1002 - D |
| 3      | 4   | SHCS - PROP HUB         | 1002 - Q |
| 2      | 1   | PROPELLER HUB           | 1002 - C |
| 1      | 1   | 5 BLADE PROPELLER       | 1002 - A |

**PROPRIETARY**

| TOLERANCES UNLESS NOTED: | REVISIONS |      |    | INNERSPACE CORP.       |  |
|--------------------------|-----------|------|----|------------------------|--|
|                          | NO.       | DATE | BY | 1002 ELECTRIC THRUSTER |  |
| .XXX                     | 1         |      |    |                        |  |
| ±.005                    | 2         |      |    |                        |  |
| .XX                      | 3         |      |    |                        |  |
| ±.01                     | 4         |      |    |                        |  |
| ANGULAR                  | 5         |      |    |                        |  |
| ± 1/2 °                  |           |      |    |                        |  |

DRAWN BY: OR  
 CHECKED: DATE: 10/07/09  
 TRACED: APPROVED: MATERIAL: 1002E - ASSY