

**\*HYDRUALIC MOTORS AVAILABLE:**

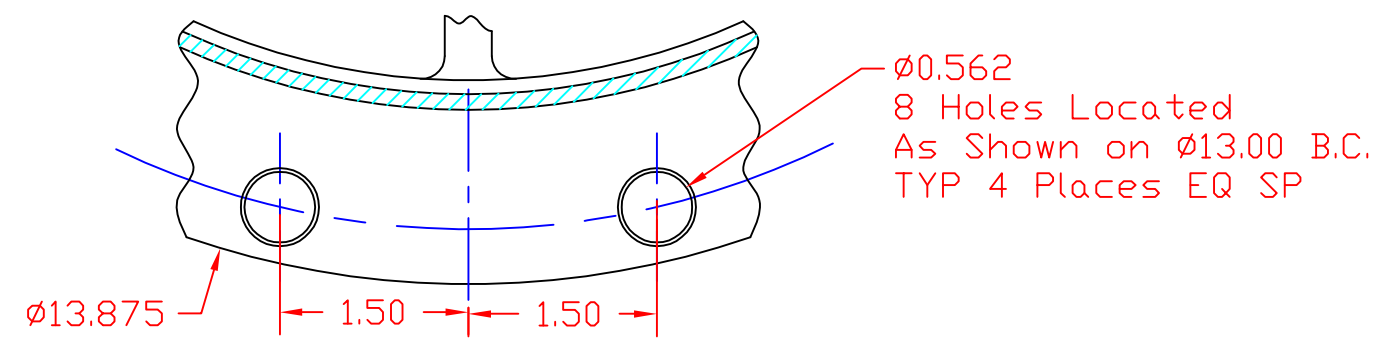
PART #	DISPLACEMENT	RATED PSI
4900 - 16	.31 cu. in.	3,000
4900 - 15	.29 cu. in.	3,000

**INERSPACE CORP.**  
 1138 E. EDNA PLACE  
 COVINA, CA 91724  
 TEL: (626) 331-0921  
 FAX: (626) 966-6391  
 www.innerspacethrusters.com

13- Spacers are not shown.  
 If needed, the spacers will go  
 between the hub & prop to  
 achieve a prop tip clearance  
 of .010" - .020"

ITEM #	QTY	PART NAME	PART NO.
17	1	HYDRAULIC MOTOR	4900*
16	2	TAB - MOTOR FAIRING	1001 - W
15	1	MOTOR FAIRING	1001 - V
14	1	DUCT	1001 - O
13	1	SPACER - .063" OR .125"	1001 - M
12	1	WASHER - PROP HUB	1001 - L
11	1	NUT - SHAFT	1001 - K
10	4	SHCS - MOTOR	1001 - I
9	1	KEY	1001 - H
8	1	HEX NUT - TIE ROD	1001 - G
7	1	NYLOX NUT - TIE ROD	1001 - J
6	1	SPINNER	1001 - F
5	1	TIE ROD	1001 - E
4	1	WASHER - SPINNER	1001 - D
3	4	SHCS - PROP HUB	1001 - Q
2	1	PROPELLER HUB	1001 - C
1	1	3 BLADE PROPELLER	1001 - A

**PARTS LIST**



Section A - A

**PROPRIETARY**

TOLERANCES (EXCEPT AS NOTED)	REVISIONS			INERSPACE CORP.		
	NO.	DATE	BY			
.XXX	1			1001/4900 HYDRAULIC THRUSTER ASSEMBLY		
± .005	2					
.XX	3			DRAWN BY	OR	SCALE
± .01	4			CHECKED	DATE	08/12/09
ANGULAR	5			TRACED	APPROVED	DRAWING NO.
± 1/2						1001/4900 - ASSY